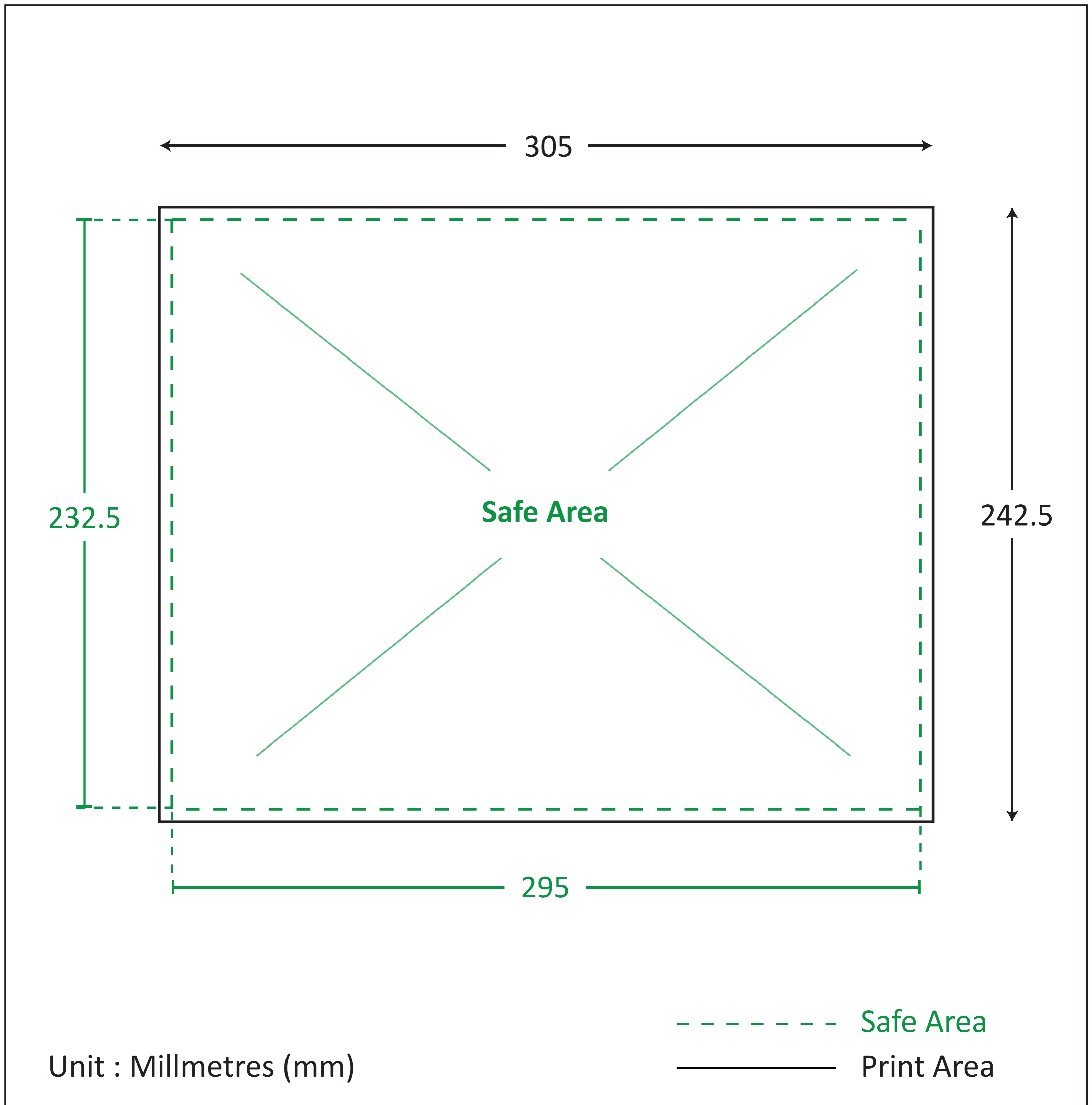


# 300mm x 240mm Tent Card

## TEMPLATE GUIDE FOR PRINTING PRODUCTS



## ARTWORK GUIDELINES



**Color Format : CMYK**



**Submit File Without Markings**



**File Format : PDF, EPS**



**Important Text & Images In Safe Area**